

SAFETY LAP STRAPS

FITTING INSTRUCTIONS

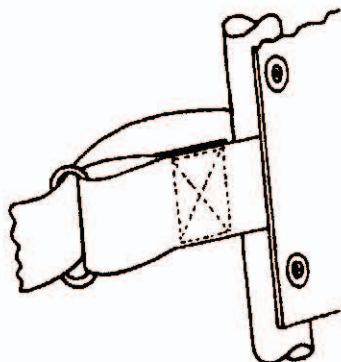
GENERAL ASSEMBLY

This shows how the webbing straps pass through the buckles and the snaplok clasp.



STYLE 1 (Product Code LS-1)

This is secured to the backrest of the wheelchair. You will need to remove the buckle and clasp from the strap first, then slacken sufficient screws on the back panel of the chair to allow the webbing strap to pass between the metal frame and the canvas back rest. Pass the strap through the slide ring and pull tight. Re - secure the screws, and replace the buckles and clasp.



STYLE 2 (Product Code LS-2)

This type can be fastened to the armrest frame of a scooter or the back panel of a wheelchair. The two inner buckles are used to secure the strap to the frame, form a loop through the buckle and pass this loop over the armrest, then do the same at the other side, with the strap passing behind the seat. For a wheelchair, secure in a similar way to that detailed above in Style 1.

