

# Round Shower Stool

PRODUCT CODE: SHOWERSTOOL-R



The Round Shower Stool is manufactured from the finest materials available. When used correctly it is designed to give many years of reliable, trouble-free service. Please examine your product for any visible damage before using/installing. If you see any damage or suspect a fault, please do not use, but contact your supplier.

## ASSEMBLY/HEIGHT ADJUSTMENT

1. Take all parts out of packaging and check before assembly (see Fig. 1).
2. Assemble legs as shown in Fig. 2.
3. Make sure that each leg is locked into position.
4. To adjust the height of the seat, press the spring button on the leg and slide the leg out to the desired height making sure that the spring button relocates in one of the holes. This process must be carried out on all four legs and they must be at the same setting for safety.

**N.B. Never install the extension legs unevenly or slanting, this will compromise the safety of the user.**

Fig.1

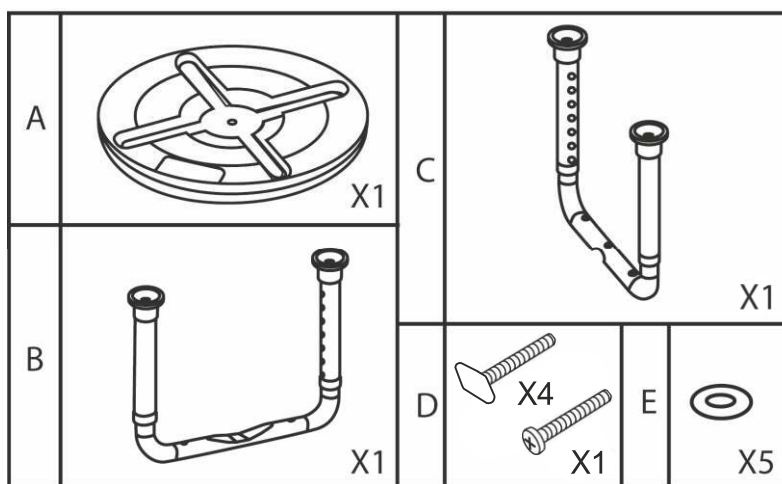
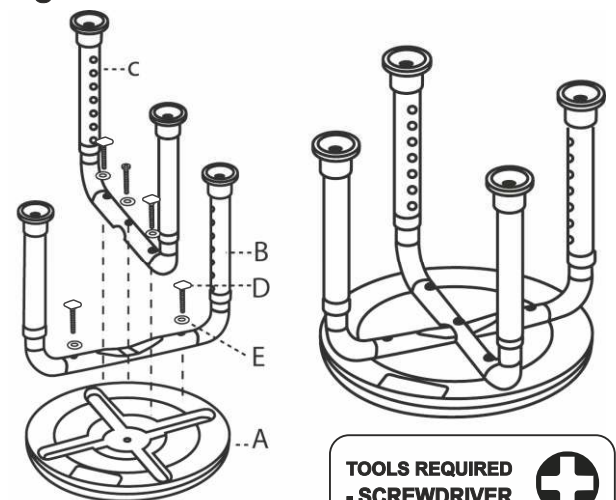


Fig.2



**N.B. This equipment must be installed by a competent person and a risk assessment may be needed as to the suitability of the stool for the particular user.  
Weight Limit: 115 kg (18 st.)**

**N.B. Do not exceed the weight limit stated – doing so could put the user at risk.  
N.B. Not suitable for use as a step, for use only by competent adults.**

## CLEANING

All of the product components are manufactured from quality materials. However, it is very important that you only clean your shower chairs and stools using a non-abrasive cleaner or mild detergent with a soft cloth avoid using lime scale remover. Abrasive cleaners e.g. AJAX and or abrasive cleaning pads will seriously damage your product beyond repair. Do not exceed 50C when cleaning the seat cover and/or back as this will permanently damage the plastic. Regular daily cleaning will reduce the build up of limescale on your product.

## Warranty/Guarantee Registration Card

Enter your details at [www.kozeekomforts.co.uk/warranty](http://www.kozeekomforts.co.uk/warranty)

## Petryl Enterprises Ltd t/a Kozee Komforts

Komfort House, Boundary Road, Bessingby Industrial Estate, Bridlington East Riding of Yorkshire YO16 4SD  
Tel : 01262 409200 | Fax: 01262 602102 | E : sales@kozeekomforts.co.uk | W : www.kozeekomforts.co.uk

